



# FACTORY DIRECT, INC.

Metal Structure Manufacturer

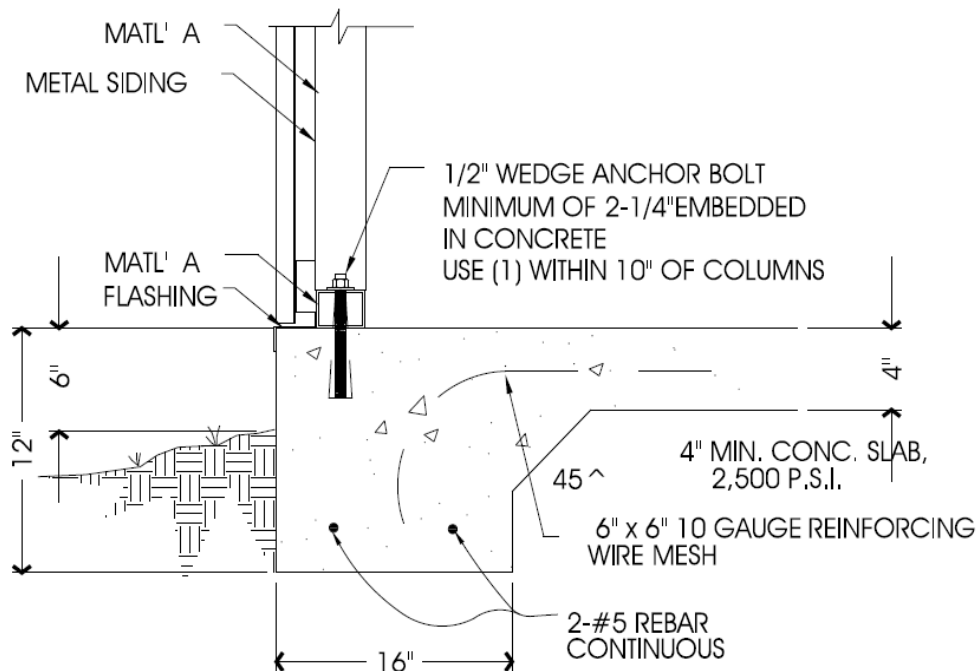
6450 Hoffner Avenue - Orlando, Florida 32822

Phone: (407) 380-3144 Fax: (407) 380-3145 TollFree: (866) 227-7678

Email: [FDMetalBuildings@aol.com](mailto:FDMetalBuildings@aol.com) Website: [www.BuildFactoryDirect.com](http://www.BuildFactoryDirect.com)

## FOOTER DETAIL

(STRUCTURES UPTO 25' FEET IN WIDTH)



NOTE:  
(ALTERNATE: FIBER MESH CONC.  
MAY BE USED IN LIEU OF WIRE  
MESH)

**NOTE: FOOTERS MUST BE 16" WIDE X 12" DEEP WITH A MINIMUM OF 4" THICKNESS @ 2,500 P.S.I. CONCRETE. SLAB DIMENSIONS WILL MEASURE 4" WIDER AND 4" LONGER THAN THE STRUCTURE FOOTPRINT TO INCORPORATE THE REVEAL AROUND THE OUTSIDE EDGE.**