



FACTORY DIRECT, INC.

Metal Structure Manufacturer

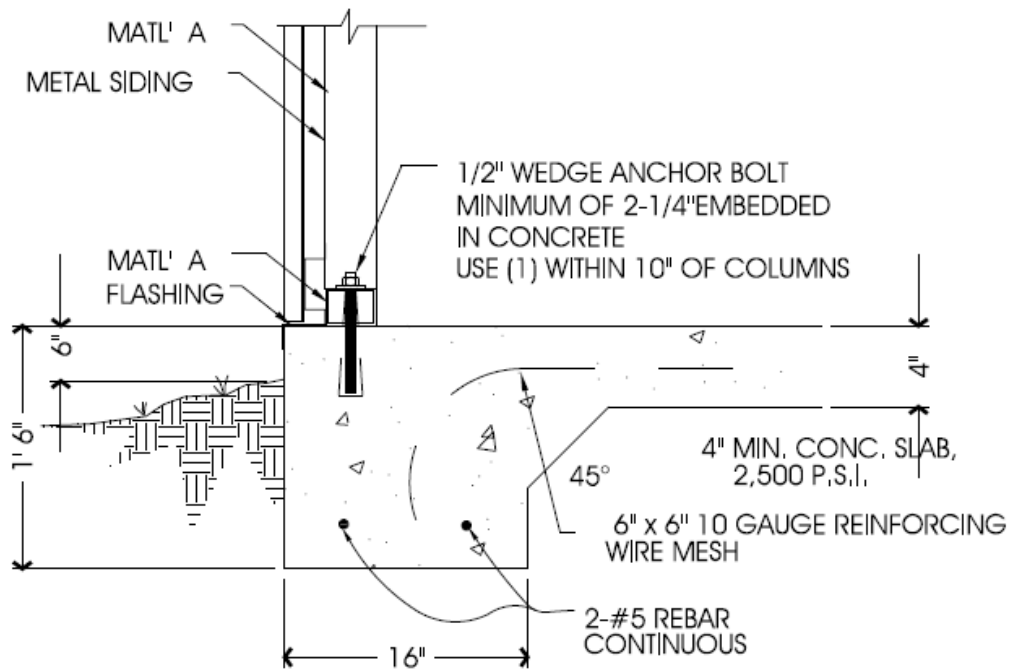
6450 Hoffner Avenue - Orlando, Florida 32822

Phone: (407) 380-3144 Fax: (407) 380-3145 TollFree: (866) 227-7678

Email: FDMetalBuildings@aol.com Website: www.BuildFactoryDirect.com

FOOTER DETAIL

(STRUCTURES WIDER THAN 25'1" IN WIDTH)



NOTE:
(ALTERNATE: FIBER MESH CONC.
MAY BE USED IN LIEU OF WIRE
MESH)

NOTE: FOOTERS MUST BE 16" WIDE X 18" DEEP WITH A MINIMUM OF 4" THICKNESS @ 2,500 P.S.I. CONCRETE. SLAB DIMENSIONS WILL MEASURE 4" WIDER AND 4" LONGER THAN THE STRUCTURE FOOTPRINT TO INCORPORATE THE REVEAL AROUND THE OUTSIDE EDGE.